

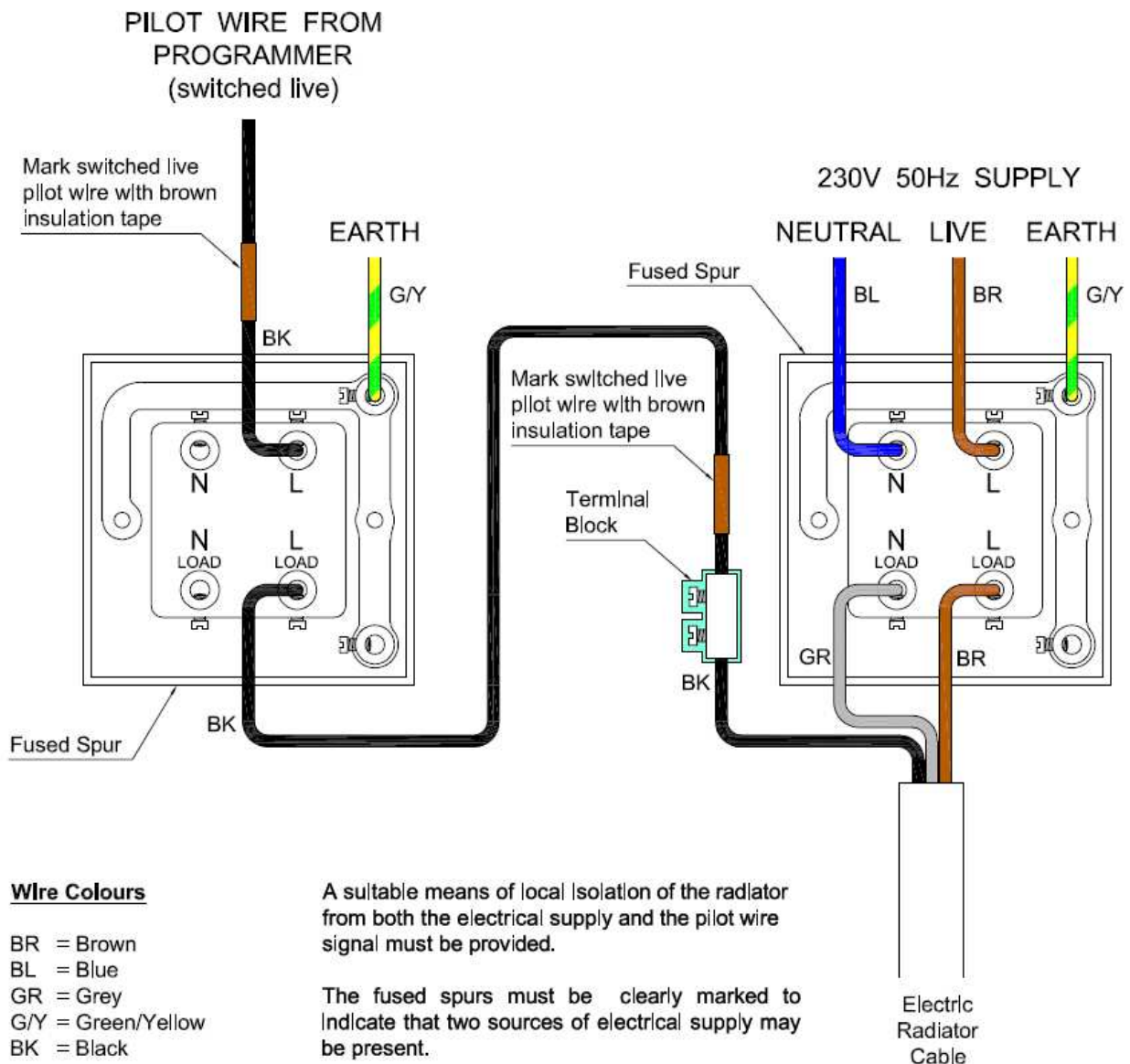
ELECTRIC DÉCOR AND ELECTRIC COLUMN.

Fused Spur Wiring Diagram in conjunction with the TOUCH4 Programmer.

When connected to the TOUCH4, select the automatic operation mode on the Electric DÉCOR or COLUMN RF Thermostat.

A suitable means of local isolation of the radiator from both the electrical supply and the pilot wire signal must be provided.

The fused spurs must be clearly marked to indicate that two sources of electrical supply may be present.



PLEASE NOTE: THE TOUCH4 IS A PROGRAMMER ONLY. TO CONTROL THE TEMPERATURE OF THE ELECTRIC DÉCOR AND COLUMN RADIATORS, THE SUPPLIED RF THERMOSTAT MUST BE USED. PLEASE REFER TO THE ELECTRIC DÉCOR, ELECTRIC COLUMN AND TOUCH4 INSTALLATION INSTRUCTIONS FOR MORE INFORMATION